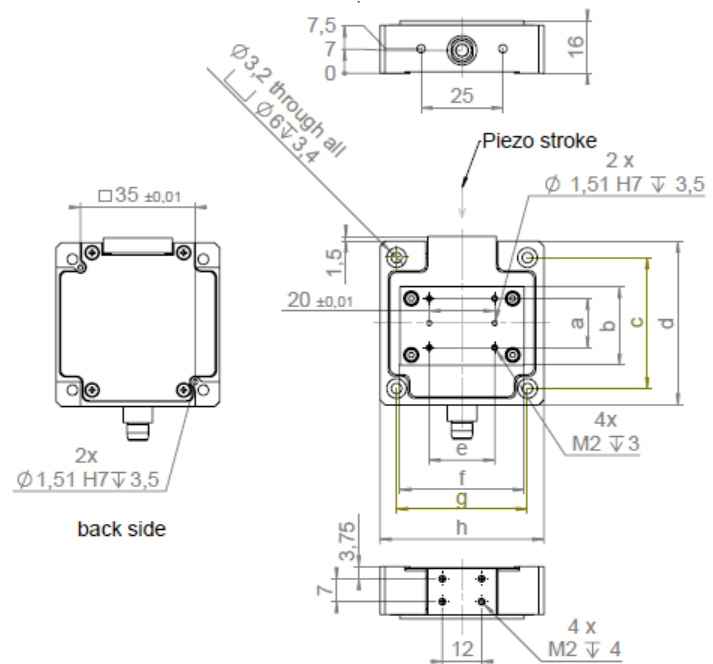


## Product-Specification

Product	Piezo Linear Stages, Long Ranges						
	LPC, with Capacitive Sensors						
	LPS, with Strain-Sensors						
Product-Number	LP_-D00100	LP_-D00300	LP_-D00600	LP_-D01000	Unit	Tolerance	
Displacement, closed-loop	100	300	600	1000	µm	±1%	
Resolution, LPC	0.5	1.5	3.0	5	nm	RMS, typ.	
Resolution, LPS	1.5	5	9	15			
Linearity, LPC	0.02				%	typ.	
Linearity, LPS	0.2						
Repeatability, LPC	5	10	20	30	nm	typ.	
Repeatability, LPS	10	25	70	100			
Pitch/Yaw	±3	±3	±6	±10	µrad	typ.	
Load	1				kg	max.	
Push/Pull	50/20		30/10		N	max.	
Stiffness	1.6	0.3	0.15	0.15	N/µm	typ.	
Resonance, unloaded	900	425	225	200	Hz	typ.	
El. Capacitance @ 1V eff. 1kHz	2.2	3.3	4.4	7.7	µF	±10%	
Body/Platform-Material	stainless steel/aluminum						
Operating Temperature	-20..80				°C		

### Options:

- Vacuum-Compatibility
- Suitable controller for LPC: EBC-120310
- Suitable controller for LPS: EBD-060310



	a	b	c	d	e	f	g	h
LPa-b00100	12	19	34	40	15	30	19	40
LPa-b00300	15	21	40	50	20	38	40	50
LPa-b00600	15	21	50	60	20	38	50	60
LPa-b01000	15	21	50	60	20	38	80	90