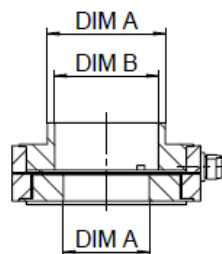
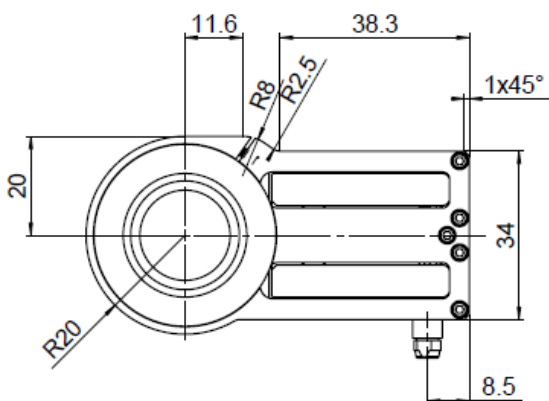
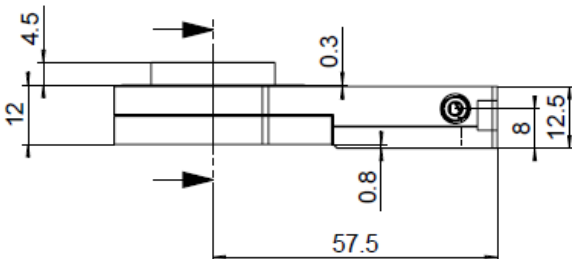


Product-Specification

Product	Objective-Positioner		
Product-Code	SFS-D00200	Unit	Tolerance
Position-Sensor	SGS, Full-Bridge		
Range, Closed Loop	200	μm	±10%
Range, Open Loop (-45..180 V)	250	μm	±10%
Resolution, open loop	1	nm	ca., RMS
Resolution, closed loop	2	nm	ca., RMS
Linearity, closed loop	0,2	%	typ.
Repeatability	20	nm	typ.
Load	130	g	max.
Push/Pull, maximum	10/5	N	max.
Lateral Force, maximum	5	N	max.
Stiffness	0,1	N/μm	±20%
Resonance, with thread-adapter	200	Hz	ca.
Resonance, with 125 g objective	80	Hz	ca.
Electrical Capacitance @ 1V eff, 1kHz	2.2	μF	±10%
Body-Material	aluminum/stainless-steel		
Weight, without/with thread-adapter	80/140	g	±10%
Operating Temperature	-20..+80	°C	

Options:

- Vacuum-Compatibility
- Suitable Driver, open-loop, EBO-050100
- Suitable Controller, closed-loop, EBD-060310



Objective Adapters		
Size	Thread-Size (DIM A)	Diameter (DIM B)
01	M19x0.75	14.0
02	M25x0.75	22.0
03	M26x0.75	23.0
04	M27x0.75	24.0
05	M28x0.75	25.0
06	M32x0.75	29.0
07	M26x1/36"	22.0
08	W0.8x1/36"	14.0
09	W26x1/36"	22.0
10	M34x0.75	31.0
11	M36x0.75	33.0