

Product-Specification

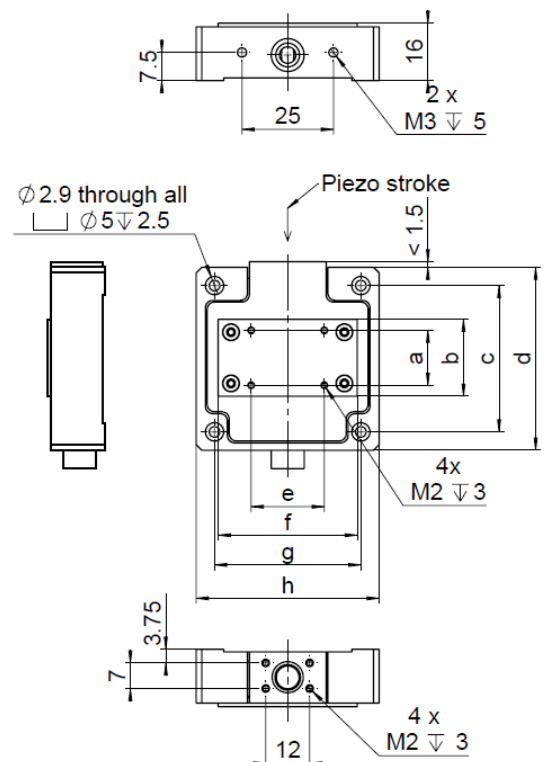
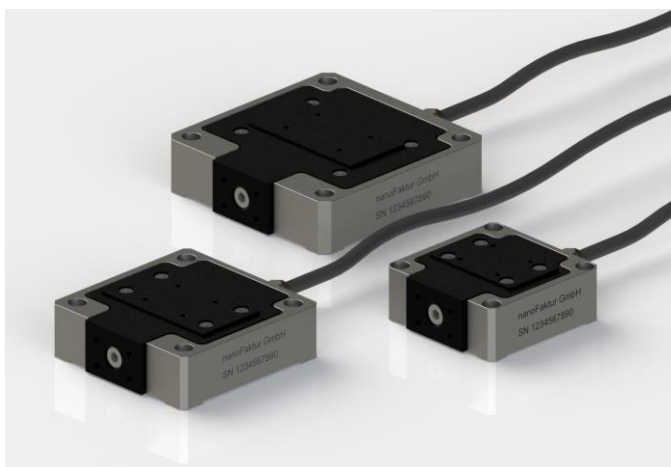
Product	LPO/LPS Piezo Linear Stages, Long Ranges				Unit	Tolerance
Product-Number	LPa-b00100	LPa-b00300	LPa-b00600	LPa-b01000		
Displacement, closed-loop	100	300	600	1000	μm	±10%
Displacement (-45..180 V)	150	450	700	1100	μm	±20%
Resolution, open loop	0.5	1.5	3	5	nm	typ.
Resolution, closed loop	1	2.5	4	7	nm	typ.
Linearity, closed loop	0.2				%	typ.
Repeatability, closed loop	10	25	50	80	nm	typ.
Pitch/Yaw	±3	±3	±6	±10	μrad	typ.
Load	1				kg	max.
Push/Pull	50/20		30/10		N	max.
Stiffness	1.6	0.3	0.15	0.15	N/μm	typ.
Resonance, unloaded	900	425	225	200	Hz	typ.
El. Capacitance @ 1V eff. 1kHz	2.2	3.3	4.4	7.7	μF	±10%
Body-Material	stainless steel					
Operating Temperature	-20..80				°C	

Product-Code: LPa-b.....

a = 0 for the open-loop version
a = S for the version with position-sensor
b = P for pigtails (wires without socket)
b = L for Lemoso-socket (option for the open-loop version)
b = D for DSub-socket. 15 pins (option for the version with sensor)

Options:

- Vacuum-Compatibility
- Suitable driver, open-loop, EBO 050100
- Suitable controller, closed-loop, EBD-060210



	a	b	c	d	e	f	g	h
LPa-b00100	12	19	34	40	15	30	19	40
LPa-b00300	15	21	40	50	20	38	40	50
LPa-b00600	15	21	50	60	20	38	50	60
LPa-b01000	15	21	50	60	20	38	80	90