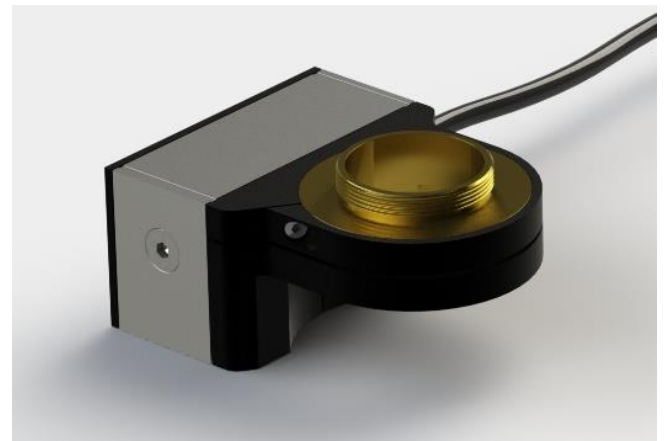
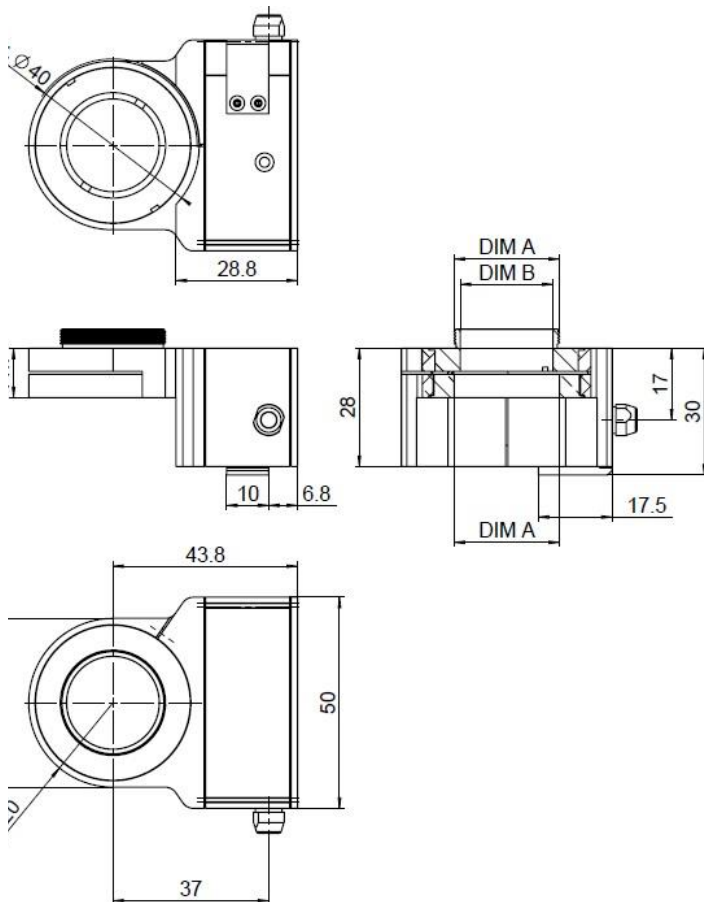


Product-Specification

Product	Range Focus Objective-Positioners				
Product-Code	SFS-D10100	SFS-D10300	SFS-D10600	Unit	Tolerance
Position-Sensor	SGS, Full-Bridge				
Range, Closed Loop	100	300	600	μm	±10%
Range, Open Loop (-45..180 V)	130	370	680	μm	±10%
Resolution, open loop	0.5	1	2	nm	ca., RMS
Resolution, closed loop	1.0	3	6	nm	ca., RMS
Linearity, closed loop	0.2	0.2	0,2	%	typ.
Pitch/Yaw	8	30	40	μrad	typ.
Repeatability	10	28	50	nm	typ.
Push/Pull, maximum	15/20	15/20	10/20	N	
Stiffness	0.38	0.22	0.2	N/μm	±20%
Resonance, with thread-adaptor	470	310	250	Hz	ca.
Electrical Cap. @ 1V eff, 1kHz	1.1	3.3	6.6	μF	±10%
Body-Material	aluminum/stainless-steel				
Operating Temperature	-20..80				°C

Options:

- Vacuum-Compatibility
- Suitable Driver, open-loop, EBO-050100
- Suitable Controller, closed-loop, EBD-060100



OBJECTIVE INTERFACE		
SIZE	THREAD SIZE (DIM A)	DIAMETER (DIM B)
O1	M19x0.75	14.0
O2	M25x0.75	22.0
O3	M26x0.75	23.0
O4	M27x0.75	24.0
O5	M28x0.75	25.0
O6	M32x0.75	29.0
O7	M26x1/36"	22.0
O8	W0.8x1/36"	14.0
O9	W26x1/36"	22.0