

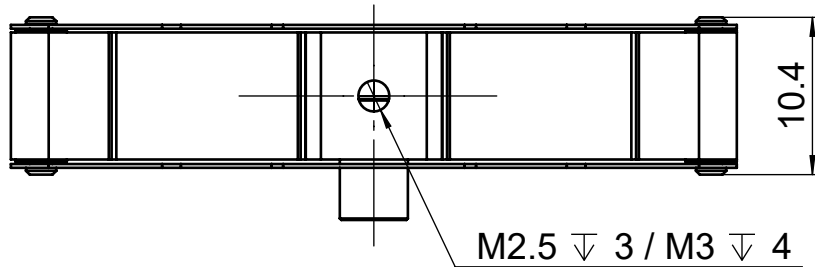
1

2

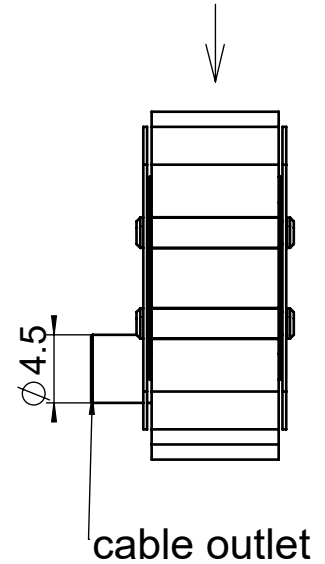
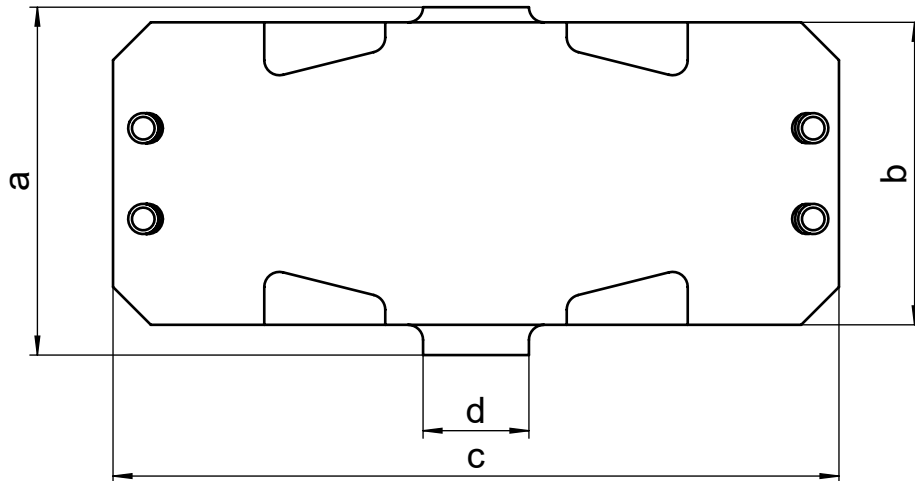
3

4

A

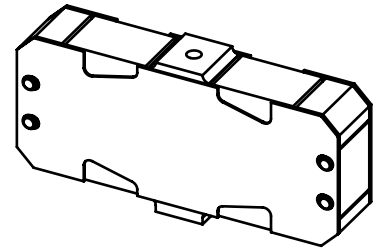
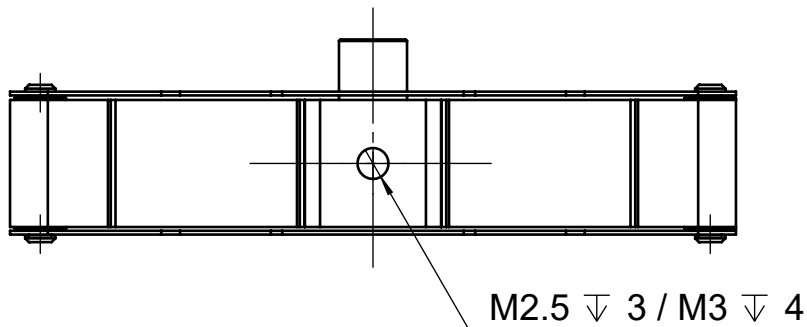


B



C

D



E

	a [mm]	b [mm]	c [mm]	d [mm]	thread for fastening
DPa-b00075	18	16	30	5	2x M2.5x0.4
DPa-b00100	23	20	48	7	2x M2.5x0.4
DPa-b00250	23	20	48	7	2x M2.5x0.4
DPa-b00500	26	22	82	10	2x M3x0.6
DPa-b01000	26	22	112	10	2x M3x0.6

F

nanofAKTUR
Piezotechnologie + Nanopositionierung

FREIASSSTOLERANZ
STANDARD TOLERANCE
**DIN ISO
2768 - f**

MAßSTAB
SCALE

1:1

OBERFLÄCHE
TREATMENT -

WERKSTOFF / MATERIAL

-

RAUHEIT
Ra1.6

EINHEIT
UNIT mm

PROJECTION

AUS- GABE	ÄNDERUNG	DATUM	NAME
-	-	-	-
-	-	-	-
-	-	-	-
-	-	-	-

KONSTR.	DATUM	NAME
-	29.12.2015	KM
-	-	-
-	-	-
-	-	-

BEZEICHNUNG / TITLE	
Piezo Double Levers	

All information provided in this drawing is to be considered confidential, proprietary and secret information. It is intended only for the use of the individual or entity to whom it is sent. Individual or entity agrees to not disseminate or copy this information to anyone other than originally specified without the written consent of nanoFAKTUR GmbH, VS-Villingen.
www.nFAKTUR.com, info@nFAKTUR.com

ARTIKEL-ID / ITEM-NO.	VERSION	GÜLTIG BIS
-	-	-
DOKUMENT-ID / DOCUMENT-NO.	VERSION	GÜLTIG BIS
-	-	-
ABGELEITET V. -	NACHFOLGER F. -	
-	-	